

VZM8542ER5-DUP

4K Starlight OmniView Network Camera



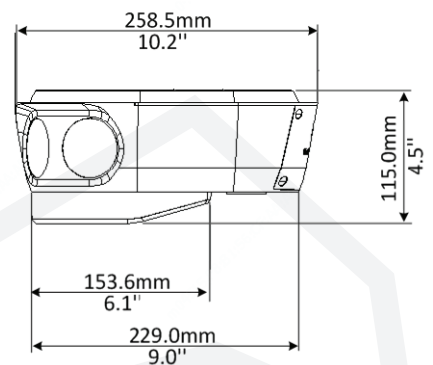
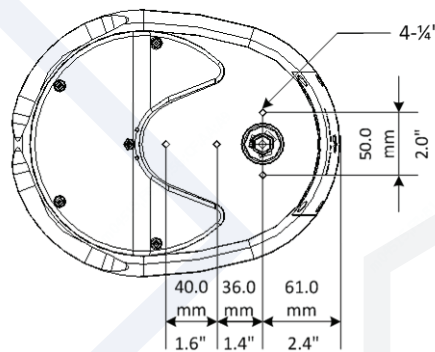
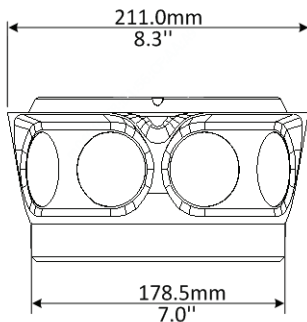
Optics

- Fifth-generation infrared technology, up to 30m (98.4ft) IR distance
- Starlight illumination
- Smart IR
- 2D/3D DNR (Digital Noise Reduction)
- 120dB true WDR
- Support a horizontal viewing angle of 180°

Network

- ONVIF Conformance

Dimensions



Compression

- Ultra H.265, H.265, H.264, MJPEG
- Triple streams
- Customized OSD
- 4096x1800@30fps supported

Structure

- AC/DC24V or PoE(IEEE 802.3at) power supply
- Wide voltage range of $\pm 25\%$ in AC, 18V~48V in DC
- Micro SD, up to 256 GB
- Alarm 2 in and 1 out, Audio 1 in and 1 out
- IP67 ingress protection

Manufacturing certificate by ISO9001, ISO14001



Specifications

VZM8542ER5-DUP					
Camera					
Sensor	1/1.8" progressive scan, 2.0 megapixel, CMOS				
Lenst	4x4.2mm lens				
Iris	F1.8				
DORI Distance	Lens (mm)	Detect(m)	Observe(m)	Recognize(m)	Identify(m)
	4.2mm	50.4 (165.4ft)	20.2(66.3ft)	10.1(33.1ft)	5.0(16.4ft)
Angle of View(H)	180°				
Angle of View (V)	80°				
Angle of View (O)	221.4°				
Shutter	Auto/Manual, shutter time: 1 s ~ 1/100000 s				
Adjustment angle	Pan: -90°~90°			Tilt: -45°~60°	
Minimum Illumination	Colour: 0.002lux (F1.8,AGC ON)				
	0lux with IR				
WDR	120dB				
Day/Night	IR-cut filter with auto switch (ICR)				
S/N	>52dB				
IR Range	Up to 30m (98.4 ft) IR range				
Wavelength	850nm				
IR On/Off Control	Auto/ManualDefog				
Defog	Digital Defog				
Video					
Video Compression	Ultra 265, H.265, H.264, MJPEG				
Frame Rate	Main Stream: 4096x1800:Max. 30 fps;				
	Sub Stream: 1920x832:Max. 30 fps;				
	Third Stream: 1280x560: Max. 30 fps				
Video Bit Rate	128 Kbps~16 Mbps				
ROI	Supported				
Video stream	Triple streams				
OSD	Up to 8 OSDs				
Privacy Mask	Up to 8 areas(8 blacks/4 mosaics+4 blacks)				
Image					
White Balance	Auto/Outdoor/Fine Tune/Sodium Lamp/Locked/Auto2				
Digital noise reduction	2D/3D DNR				
Smart IR	Support				
Flip	Normal/Flip Vertical/Flip Horizontal/180°/90°Clockwise/90°Anti-clockwise				
HLC	Support				
BLC	Support				
Smart					
General Function	Watermark, IP Address Filtering, Tampering Alarm, Alarm input, Alarm output, Access Policy, ARP Protection, RTSP Authentication, User Authentication				

Specifications

Audio	
Audio Compression	G.711U, G.711A
Two-way Audio	Supported
Suppression	Supported
Sampling Rate	8KHZ
Storage	
Edge Storage	Micro SD, up to 256 GB
Network Storage	ANR,NAS(NFS)
Network	
Protocols	IPv4, IGMP, ICMP, ARP, TCP, UDP, DHCP, PPPoE, RTP, RTSP, RTCP, DNS, DDNS, NTP, FTP, UPnP, HTTP, HTTPS, SMTP, 802.1x, SNMP,QoS
Compatible Integration	ONVIF (Profile S, Profile G, Profile T), API
Client	EZStation EZLive Ezview
Web Browser	Plug-in required live view: IE9+, Chrome 41 and below, Firefox 52 and below
Interface	
Audio I/O	Audio cable
	1 Input: impedance 35kΩ; amplitude 2V *p-p]
	1 output: impedance 600Ω; amplitude 2V *p-p]
Alarm I/O	2/1
Network	2*10M/100M/1000M Base-TX Ethernet
Certification	
Certifications	CE: EN 60950-1 UL: UL 60950-1 FCC: FCC Part 15
General	
Power	AC24V±25%/DC24V support 18V-48V, PoE(IEEE 802.3at)
	Power consumption: Max 23.6W
Dimensions (Ø x H)	259mmx211mmx115mm(10.2"x8.3"x4.5")
Weight	2.38kg(5.25lb)
Working Environment	-40°C ~ +70°C (-40°F ~ 158°F), Humidity: ≤95%RH RH(non-condensing)
Storage Environment	-40°C ~ +70°C (-40°F ~ 158°F), Humidity: ≤95%RH RH(non-condensing)
surge protection	6KV
Ingress Protection	IP67