

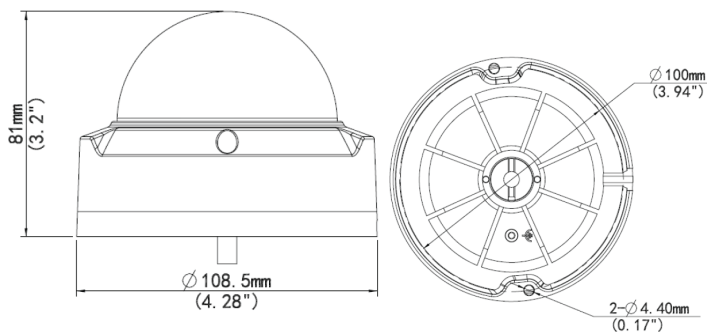


## VZD-22SR3-28(40)FPVD-C

# 2MP WDR Vandal-resistant Network IR Fixed Dome Camera



### Dimensions



### Structure

- Wide temperature range: -35°C to 60°C (-31°F to 140°F)
- Wide input voltage range of  $\pm 25\%$
- IK10 vandal resistant
- 3-Axis
- IP67

### Optics

- Day/night functionality
- Smart IR, up to 30 m (98 ft) IR distance
- Car-grade LEDs, brighter and uniform light compensation
- Up to 120 dB WDR (Wide Dynamic Range)
- 2D/3D DNR (Digital Noise Reduction)

### Compression

- Ultra 265, H.265, H.264, MJPEG
- Embedded smart algorithm
- Triple streams
- ROI (Region of Interest)
- Customized OSD

### Network

- ONVIF Conformance

Manufacturing certificate by ISO9001, ISO14001



บริษัท ครีเอเจอร์แล็บ เน็ตเวิร์ค โซลูชั่น จำกัด  
 357 ถนนวิภาวดีรังสิต แขวงบางพาด เขตบางพลัด กรุงเทพฯ 10700  
 Email : info@creaturelab.co.th web : www.creaturelab.co.th

# Specifications

	VZD-22SR3-28FPVD-C	VZD-22SR3-40FPVD-C
<b>Camera</b>		
Sensor	1/2.7", progressive scan ,2.0 megapixel, CMOS	
Lens	2.8 mm@F2.0	4.0 mm@F2.0
Angle of View (H)	112.7°	86.5°
Shutter	Auto/Manual, 1/6~1/100000 s	
Minimum Illumination	Colour: 0.01 Lux (F2.0, AGC ON) 0 Lux with IR	
Day/Night	IR-cut filter with auto switch (ICR)	
Digital noise reduction	2D/3D DNR	
S/N	>52 dB	
IR Range	Up to 30m (98 ft) IR range	
Defog	Digital Defog	
WDR	120dB	
<b>Video</b>		
Video Compression	Ultra 265,H.265, H.264, MJPEG	
H.264 code profile	Baseline profile, Main Profile, High Profile	
Frame Rate	Main Stream:2MP (1920×1080): Max. 30 fps; Sub Stream:2MP (1920×1080): Max. 30 fps; Third Stream:D1 (720×576): Max. 30 fps	
9:16 Corridor Mode	Supported	
HLC	Supported	
BLC	Supported	
OSD	Up to 8 OSDs	
Privacy Mask	Up to 8 areas	
ROI	Up to 8 areas	
Motion Detection	Up to 4 areas	
<b>Smart</b>		
Behavior Detection	Intrusion, cross line, motion detection	
Exception Detection	Audio detection	
Intelligent Identification	Face detection, Defocus, Scene Change	
Statistical Analysis	People counting	
General Function	Watermark, IP Address Filtering, Tampering Alarm, Alarm input, Alarm output, Access Policy, ARP Protection, RTSP Authentication, User Authentication, Smart FrameRate, Smart ROI.	
<b>Audio</b>		
Audio Compression	G.711	
Two-way audio	Supported	
Suppression	Supported	
Sampling Rate	8 KHZ	
<b>Storage</b>		
Edge Storage	Micro SD, up to 128 GB	
Network Storage	ANR	
<b>Network</b>		
Protocols	IPv4, IPv6, IGMP, ICMP, ARP, TCP, UDP, DHCP, PPPoE, RTP, RTSP, RTCP, DNS, DDNS, NTP, FTP, UPnP, HTTP, HTTPS, SMTP, 802.1x, SNMP, SNTp, IEEE801.1x	
Compatible Integration	ONVIF(Profile S, Profile G), API	
<b>Interface</b>		
Audio I/O	Input: impedance 35 kΩ; amplitude 2 V [p-p] Output: impedance 600 Ω; amplitude 2 V [p-p]	
Alarm I/O	1/ 1	
Network	1 RJ45 10M/100M Base-TX Ethernet	
<b>General</b>		
Power	12 V DC±25%, PoE (IEEE802.3 af) Power consumption: Max 5.5W	
Dimensions (Ø x H)	Φ108.5 x 81 mm (Ø4.28" x 3.2")	
Weight	0.45 kg (0.99 lb)	
Working Environment	-40°C ~ +60°C (-40°F ~ 140°F), Humidity :10%~90% RH(non-condensing)	
Ingress Protection	IP67	
Vandal Resistant	IK10	
SDK	Supported (DVD)	