



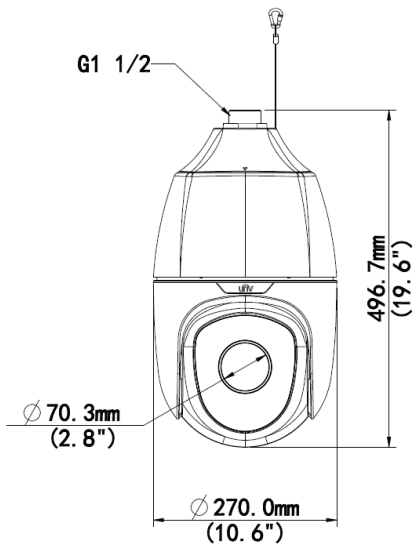
V I Z E R

VZS6258SR-X22P

4K Ultra-HD Network IR PTZ Dome Camera



Dimensions



Optics

- 22X Optical Zoom
- Fifth-generation infrared technology, more than 200m (656 ft) IR distance
- IR anti-reflection window to increase the infrared transmittance
- Optical glass window with higher light transmittance
- Smart IR
- EIS (Electronic Image Stabilization)

Compression

- 12 Megapixel image
- Ultra 265, H.265, H.264, MJPEG
- Embedded smart algorithm
- Triple streams
- Customized OSD

Structure

- Innovative snow-removing functionality
- Intelligent temperature control technology
- More effective heat dissipation system
- 6 KV surge protection designed for network interface

Network

- ONVIF Conformance

Specifications

| VZS6258SR-X22P | |
|----------------------------|--|
| Camera | |
| Sensor | 1/1.7", progressive scan, 12.0megapixel, CMOS |
| Lens | 6.5~ 143 mm (22x optical zoom) , AF automatic focusing and motorized zoom lens |
| Angle of View (H) | 56.7° (wide) ~ 3.07° (tele) |
| Shutter | Auto/Manual, shutter time: 1/6 s ~ 1/100000 s |
| Minimum Illumination | Colour: 0.06 lux (F1.5,AGC ON) 0 lux with IR |
| Iris | Auto/Manual, F1.5 ~ F3.4 |
| Day/Night | IR-cut filter with auto switch (ICR) |
| Digital noise reduction | 2D/3D DNR |
| S/N | >55 dB |
| IR Range | UP to 200m (656ft) |
| Defog | Digital Defog |
| WDR | DWDR |
| Video | |
| Video Compression | Ultra 265,H.265, H.264, MJPEG |
| H.264 code profile | Baseline profile, Main Profile, High Profile |
| Frame Rate | Main Stream:12 MP(4000×3000):Max.20 fps, 8MP(3840 × 2160): Max.25fps, 2MP(1920×1080)@30fps ; Sub Stream:2MP(1920×1080) : Max. 30fps ; Third Stream: D1 (720×576): Max. 30fps |
| HLC | Supported |
| BLC | Supported |
| EIS | Supported |
| OSD | Up to 8 OSDs |
| Privacy Mask | Up to 8 areas |
| ROI | Up to 8 areas |
| Motion Detection | Up to 4 areas |
| Smart | |
| Behavior Detection | Intrusion, cros line, motion detection |
| Exception Detection | Audio detection |
| Intelligent Identification | Face detection |
| Statistical Analysis | People counting |
| General Function | Watermark, IP Address Filtering, Tampering Alarm, Alarm input, Alarm output, Access Policy, ARP Protection, RTSP Authentication, User Authentication |
| Audio | |
| Audio Compression | G.711 |
| Two-way Audio | Supported |
| Suppression | Supported |
| Sampling Rate | 8 KHZ |

Specifications

| Storage | |
|------------------------|---|
| Edge Storage | Micro SD, up to 128 GB |
| Network Storage | ANR |
| Network | |
| Protocols | IPv4, IGMP, ICMP, ARP, TCP, UDP, DHCP, PPPoE, RTP, RTSP, RTCP, DNS, DDNS, NTP, FTP, UPnP, HTTP, HTTPS, SMTP, 802.1x, SNMP |
| Compatible Integration | ONVIF(Profile S, Profile G), API |
| Pan& Tilt | |
| Pan Range | 360° |
| Pan Speed | 0.1°/s ~ 240°/s |
| | Preset speed: 300°/s |
| Tilt Range | -15° ~ +90° (auto reverse) |
| Tilt Speed | 0.1° ~ 160°/s |
| | Preset speed: 240°/s |
| Number of Presets | 1024 |
| Patrol | Preset patrol, route patrol, recorded patrol |
| Home Position | Supported |
| Interface | |
| Audio I/O | Audio cable |
| | 1 Input: impedance 35 kΩ; amplitude 2 V [p-p] |
| | 1 Output: impedance 600 Ω; amplitude 2 V [p-p] |
| Alarm I/O | 2 / 1 |
| Serial Port | 1 RS485 |
| Network | 1 RJ45 10M/100M Base-TX Ethernet |
| Video Output | 1 BNC, impedance 75 Ω; amplitude 1 V [p-p] |
| General | |
| Power | 24 V AC±25% (Default), 24 V DC±25%, PoE(PSE Required) |
| | Power consumption: 8~52.5W |
| Dimensions (Ø x H) | Ø227x359.4 mm (Ø8.9" x 14.2") |
| Weight | 5.5 kg (12.1 lb) |
| Working Environment | -40°C ~ +70°C (-40°F ~ 158°F), Humidity: 10%~95% RH(non-condensing) |
| Ingress Protection | IP66 |
| Reset Button | Supported |