



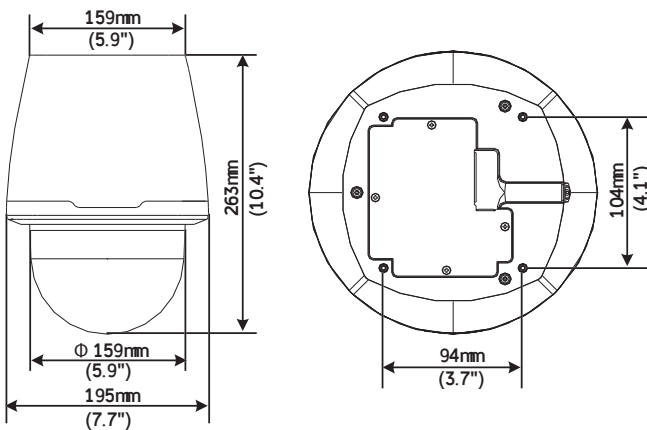
VIZER

VZS6222EI-X22UP-C

2MP 22x Indoor Network PTZ Dome Camera



Dimensions



Optics

- Starlight illumination
- 22x optical zoom
- Accurate and fast focusing

Compression

- Ultra 265, H.265, H.264, MJPEG
- Embedded smart algorithm
- Triple streams
- Customized OSD

Structure

- Fast installation structure design
- Intelligent temperature control technology
- 6 KV surge protection designed for network interface
- IK10 vandal resistant
- IP65

Network

- ONVIF Conformance

Specifications

| | |
|----------------------------|--|
| | VZS6222EI-X22UP-C |
| Camera | |
| Sensor | 1/2.8", progressive scan, 2.0megapixel, CMOS |
| Lens | 5.2 ~ 114.4mm (22x optical zoom), AF automatic focusing and motorized zoom lens |
| Angle of View (H) | 55.9° (wide) ~ 3.4° (tele) |
| Shutter | Auto/Manual; shutter time: 1/6 s ~ 1/100000 s |
| Minimum Illumination | Colour: 0.001 lux (F1.5, AGC ON) B/W: 0.001 lux(F1.5, AGC ON) |
| Iris | Auto/Manual; F1.5 ~ F3.0 |
| Day/Night | IR-cut filter with auto switch (ICR) |
| Digital noise reduction | 2D/3D DNR |
| S/N | >52dB |
| Defog | Digital Defog |
| WDR | 120dB |
| Video | |
| Video Compression | Ultra 265,H.265, H.264, MJPEG |
| H.264 code profile | Baseline profile, Main Profile, High Profile |
| Frame Rate | Main Stream:2MP (1920×1080):Max. 30 fps; Sub Stream:2MP (1920×1080):Max. 30 fps; Third Stream: D1 (720×576): Max. 30 fps |
| HLC | Supported |
| BLC | Supported |
| OSD | Up to 8 OSDs |
| Privacy Mask | Up to 8 areas |
| ROI | Up to 8 areas |
| Motion Detection | Up to 4 areas |
| Smart | |
| Behavior Detection | Intrusion, cross line, motion detection |
| Exception Detection | Audio detection |
| Intelligent Identification | Face detection |
| Statistical Analysis | People counting |
| General Function | Watermark, IP Address Filtering, Tampering Alarm, Alarm input, Alarm output, Access Policy, ARP Protection, RTSP Authentication, User Authentication |
| Audio | |
| Audio Compression | G.711 |
| Two-way audio | Supported |
| Suppression | Supported |
| Sampling Rate | 8 KHZ |
| Storage | |
| Edge Storage | Micro SD, up to 128 GB |
| Network Storage | ANR |

Specifications

| Network | |
|------------------------|---|
| Protocols | IPv4, IGMP, ICMP, ARP, TCP, UDP, DHCP, PPPoE, RTP, RTSP, RTCP, DNS, DDNS, NTP, FTP, UPnP, HTTP, HTTPS, SMTP, 802.1x, SNMP |
| Compatible Integration | ONVIF(Profile S, Profile G), API |
| Pan & Tilt | |
| Pan Range | 360° (endless) |
| Pan Speed | 0.1°/s ~ 400°/s Preset speed:540°/s |
| Tilt Range | -18° ~ +90° (auto reverse) |
| Tilt Speed | 0.1° ~ 240°/s Preset speed: 400°/s |
| Number of Presets | 1024 |
| Patrol | Preset patrol, route patrol, recorded patrol |
| Home Position | Supported |
| Interface | |
| Audio I/O | Audio cable |
| | 1 Input: impedance 35 kΩ; amplitude 2 V [p-p] |
| | 1 Output: impedance 600 Ω; amplitude 2 V [p-p] |
| Alarm I/O | 2/ 1 |
| Serial Port | 1 RS485 |
| Network | 1 RJ45 10M/100M Base-TX Ethernet |
| Video Output | 1 BNC, impedance 75 Ω; amplitude 1 V [p-p] |
| General | |
| Power | 24 V AC±25%, 24 V DC±25%, PoE (IEEE802.3 at) |
| | Power consumption: 8~ 20W |
| Dimensions(ØxH) | Ø195 x 263 mm (Ø7.7" x 10.4") |
| Weight | 4.2 kg (9.3 lb) |
| Working Environment | -20°C ~ +50°C (-4°F ~ 122°F), Humidity:10%~ 95% RH(non-condensing) |
| Ingress Protection | IP65 |
| Vandal Resistant | IK10 |