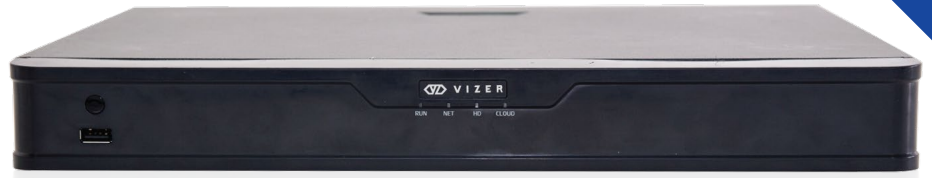




# V I Z E R

## VZN302-S

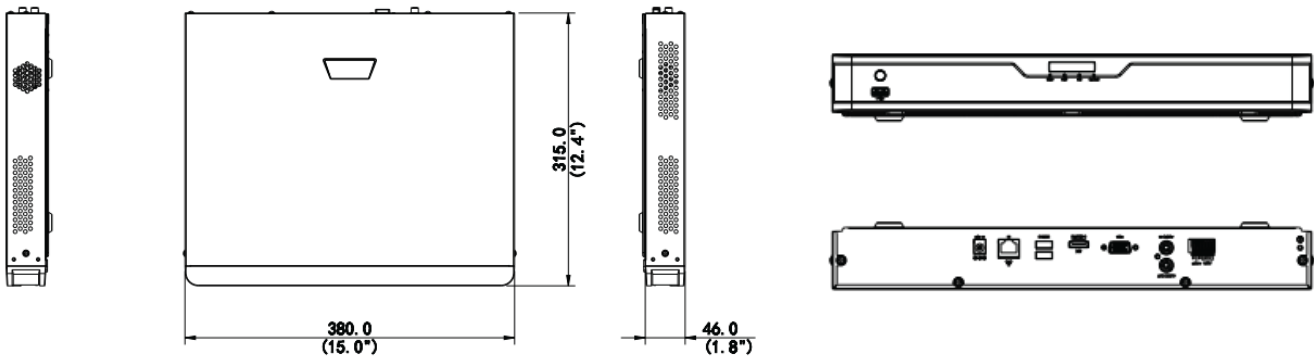
### Network Video Recorder



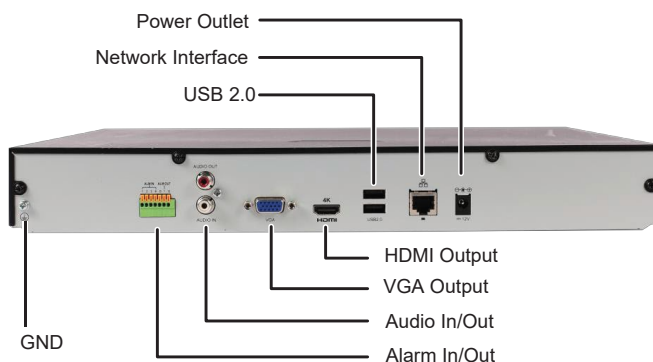
### Key Features

- Support Ultra 265/H.265/H.264 video formats
- 8-channel input
- Third-party IP cameras supported with ONVIF conformance: Profile S, Profile G, Profile C, Profile Q, Profile A, Profile T
- Support 1-ch HDMI, 1-ch VGA, HDMI at up to 4K (3840x2160) resolution
- HDMI and VGA simultaneous output
- Up to 8 Megapixels resolution recording
- 2 SATA HDDs, up to 8TB for each HDD
- ANR technology to enhance the storage reliability when the network is disconnected
- Support cloud upgrade

### Dimensions



### Rear Panel



# Specifications

VZN302-S	
<b>Video/Audio Input</b>	
IP Video Input	8-ch
Two-way Audio Input	1-ch, RCA
<b>Network</b>	
Incoming bandwidth	48Mbps
Outgoing bandwidth	48Mbps
Remote Users	128
Protocols	P2P, UPnP, NTP, DHCP, PPPoE
<b>Video/Audio Output</b>	
HDMI/VGA Output	HDMI: 4K (3840x2160) /30Hz, 1920x1080p /60Hz, 1920x1080p /50Hz, 1600x1200 /60Hz, 1280x1024 /60Hz, 1280x720 /60Hz, 1024x768 /60Hz VGA: 1920x1080p /60Hz, 1920x1080p /50Hz, 1600x1200 /60Hz, 1280x1024 /60Hz, 1280x720 /60Hz, 1024x768 /60Hz
Audio Output	1-ch, RCA
Recording Resolution	8MP/6MP/5MP/4MP/3MP/1080p/960p/720p/D1/2CIF/CIF
Synchronous Playback	8-ch
Corridor Mode Screen	3/4/5/7/9
<b>Decoding</b>	
Decoding format	Ultra 265, H.265, H.264
Live view/ Playback	8MP/6MP/5MP/4MP/3MP/1080p/960p/720p/D1/2CIF/CIF
Capability	1 x 4K@30, 1 x 6MP@30, 1 x 5MP@30, 2 x 4MP@30, 4 x 1080p@30, 8 x 720p@30
<b>Hard Disk</b>	
SATA	2 SATA interface
Capacity	up to 8TB for each disk
<b>Smart</b>	
VCA Detection	Face detection, Intrusion detection, Cross line detection, Audio detection, Defocus detection, Scene change detection, Auto tracking
VCA Search	Face search, Behavior search
Statistical Analysis	People counting
<b>External Interface</b>	
Network Interface	1 RJ-45 10M/100M self-adaptive Ethernet Interface
USB Interface	Rear panel : 2 x USB2.0, Front panel : 1 x USB2.0
Alarm In	4-ch
Alarm Out	1-ch
<b>General</b>	
Power Supply	12V DC Power Consumption: ≤ 5 W( without HDD )
Working Environment	-10°C ~ + 55°C ( +14°F ~ +131°F ), Humidity ≤ 90% RH(non-condensing)
Dimensions(W×D×H)	380mm × 315mm × 46mm (15.0"× 12.4" ×1.8")
Weight ( without HDD )	≤ 2.18 Kg (4.81 lb )