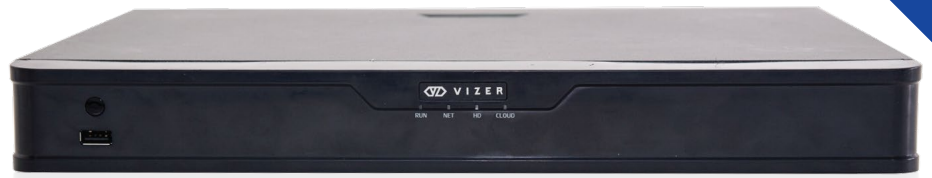




# V I Z E R

## VZN302-S-P

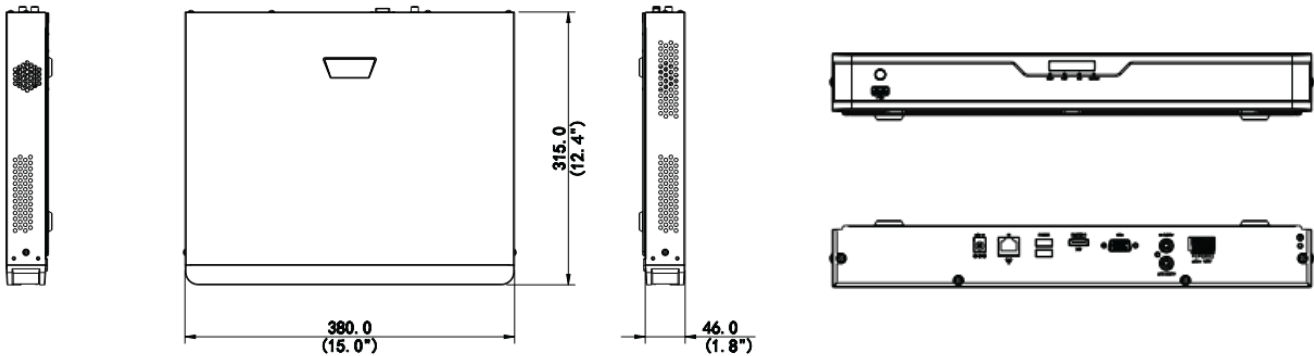
### Network Video Recorder



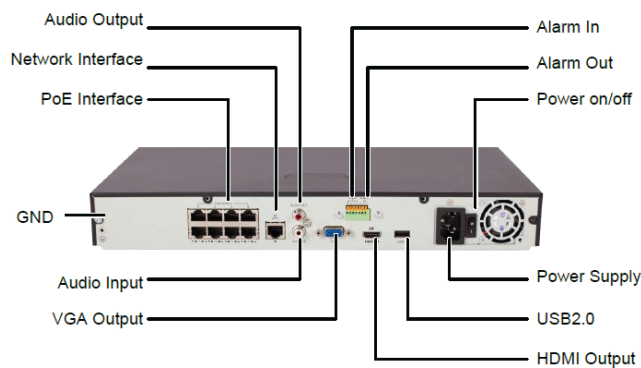
### Key Features

- Support Ultra265/H.265/H.264 video formats
- 8/16-channel input
- Plug & Play with 8/16 independent PoE network interfaces
- Third-party IP cameras supported with ONVIF conformance : Profile S, Profile G, Profile C, Profile Q, Profile A, Profile T
- Support HDMI and VGA simultaneous output
- Up to 8 Megapixels resolution recording
- 2 SATA HDDs, up to 8TB for each HDD
- ANR technology to enhance the storage reliability when the network is disconnected
- Support cloud upgrade

### Dimensions



### Rear Panel



# Specifications

	VZN302-08S-P8	VZN302-16S-P8	VZN302-16S-P16
<b>Video/Audio Input</b>			
IP Video Input	8-ch	16-ch	16-ch
Two-way Audio Input	1-ch, RCA		
<b>Network</b>			
Incoming Bandwidth	64Mbps	112Mbps	112Mbps
Outgoing Bandwidth	96Mbps	96Mbps	96Mbps
Remote Users	128		
Protocols	SNMP,P2P, UPnP, NTP, DHCP, PPPoE		
<b>Video/Audio Output</b>			
HDMI/VGA Output	VGA: 1024X768@60,1280X720@60,1280X1024@60,1920X1080@50,1920X1080@60 HDMI: 4k(3840x2160@30),4k(3840x2160@60),1024X768@60,1280X720@60,1280X1024@60,1920X1080@50,1920X1080@60		
Recording Resolution	8MP/6MP/5MP/4MP/3MP/1080p/960p/720p/D1/2CIF/CIF		
Audio Output	1-ch, RCA		
Synchronous Playback	8-ch	16-ch	16-ch
Corridor Mode Screen	3/4/5/7/9	3/4/5/7/9/10/12/16	3/4/5/7/9/10/12/16
<b>Decoding</b>			
Decoding format	Ultra265/H.265/H.264		
Live view/ Playback	8MP/6MP/5MP/4MP/3MP/1080p/960p/720p/D1/2CIF/CIF		
Capability	1 x 4K@30, 2 x 4MP@30, 3 x 3MP@25, 4 x 1080P@30, 8 x 720P@30,16 x D1		
<b>Hard Disk</b>			
SATA	2 SATA interfaces		
Capacity	up to 8TB for each disk		
<b>Smart</b>			
VCA Detection	Face detection, Intrusion detection, Cross line detection, Audio detection, Defocus detection, Scene change detection, Auto tracking		
VCA Search	Face search, Behavior search		
Statistical Analysis	People counting		
<b>External Interface</b>			
Network Interface	1 RJ-45 10M/100M/1000M self-adaptive Ethernet Interface		
USB Interface	Front panel: 1 x USB2.0, Rear panel: 1 x USB2.0		
Alarm In	4-ch		
Alarm Out	1-ch		