



V I Z E R

VZN301P

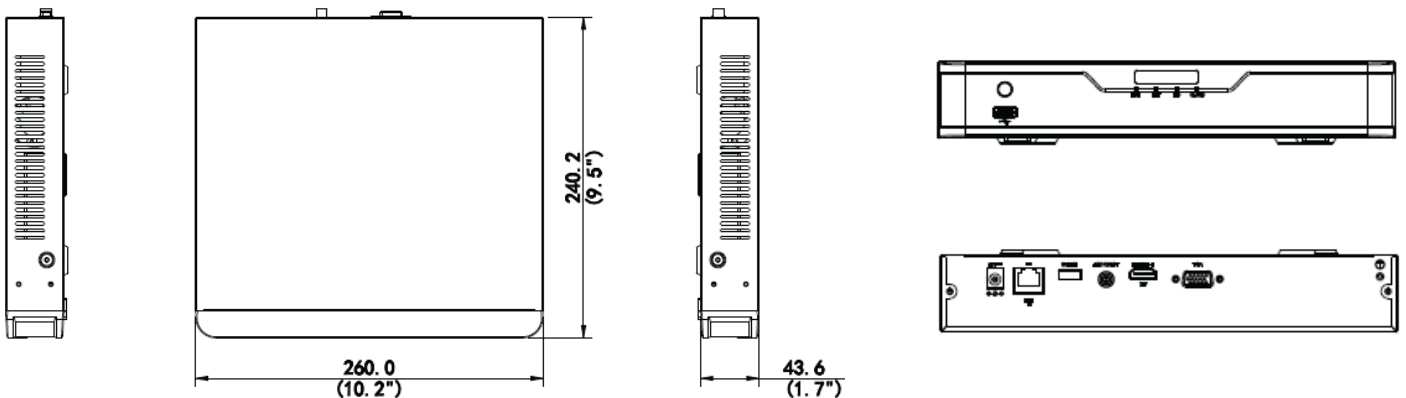
Network Video Recorder



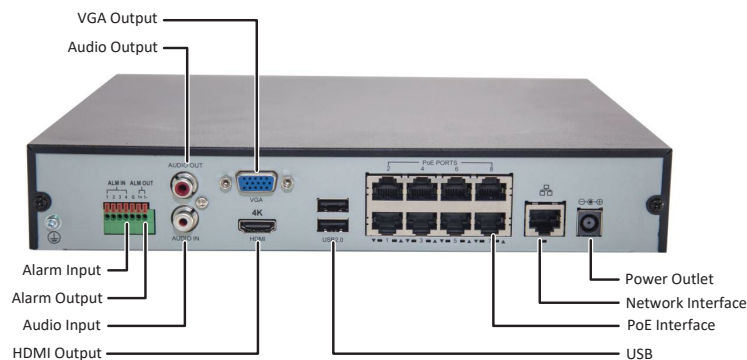
Key Features

- Support Ultra 265/H.265/H.264 video formats
- 4/8/16-channel input
- Plug & Play with 4/8 independent PoE network interfaces
- Third-party IP cameras supported with ONVIF conformance: Profile S, Profile G, Profile C, Profile Q, Profile A, Profile T
- Support 1-ch HDMI, 1-ch VGA, HDMI at up to 4K (3840x2160) resolution
- HDMI and VGA simultaneous output
- Up to 8 Megapixels resolution recording
- 1 SATA HDD up to 8 TB
- ANR technology to enhance the storage reliability when the network is disconnected
- Support cloud upgrade

Dimensions



Rear Panel



Specifications

	VZN301-04P	VZN301-08P	VZN301-16P
Video/Audio Input			
IP Video Input	4-ch	8-ch	16-ch
Two-way Audio Input	1-ch, RCA		
Network			
Incoming Bandwidth	40Mbps	60Mbps	60Mbps
Outgoing Bandwidth	64Mbps	64Mbps	80Mbps
Remote Users	128		
Protocols	P2P, UPnP, NTP, DHCP, PPPoE		
Video/Audio Output			
HDMI/VGA Output	HDMI: 4K (3840x2160) /30Hz, 1920x1080p /60Hz, 1920x1080p /50Hz, 1600x1200 /60Hz, 1280x1024 /60Hz, 1280x720 /60Hz, 1024x768 /60Hz VGA: 1920x1080p /60Hz, 1920x1080p /50Hz, 1600x1200 /60Hz, 1280x1024 /60Hz, 1280x720 /60Hz, 1024x768 /60Hz		
Recording Resolution	8MP/6MP/5MP/4MP/3MP/1080p/960p/720p/D1/2CIF/CIF		
Audio Output	1-ch, RCA		
Synchronous Playback	4-ch	8-ch	16-ch
Corridor Mode Screen	1/3		
Decoding			
Decoding format	Ultra 265, H.265, H.264		
Live view /Playback	8MP/6MP/5MP/4MP/3MP/1080p/960p/720p/D1/2CIF/CIF		
Capability	1 x 4K@30, 2 x 4MP@30, 4 x 1080p@30, 8 x 720p@30, 16 x D1		
Hard Disk			
SATA	1 SATA interface		
Capacity	up to 8TB for each disk		
Smart			
VCA Detection	Face detection, Intrusion detection, Cross line detection, Audio detection, Defocus detection, Scene change detection, Auto tracking		
VCA Search	Face search, Behavior search		
Statistical Analysis	People counting		
External Interface			
Network Interface	1 RJ-45 10M/100M self-adaptive Ethernet Interface		
USB Interface	Rear panel : 2 x USB2.0, Front panel : 1 x USB2.0		
Alarm In	4-ch		
Alarm Out	1-ch		
PoE			
Interface	4 independent 100 Mbps PoE network interfaces	8 independent 100 Mbps PoE network interfaces	
Max Power	Max 30W for single port Max 54W in total (13.5W for each)	Max 30W for single port Max 108W in total (13.5W for each)	
Supported Standard	IEEE 802.3at, IEEE 802.3af		
General			
Power Supply	48V DC Power Consumption: ≤ 5 W(without HDD)	52V DC Power Consumption: ≤ 5 W(without HDD)	
Working Environment	-10°C ~ + 55°C (+14°F ~ +131°F), Humidity ≤ 90% RH(non-condensing)		
Dimensions(W×D×H)	260mm ×240mm × 44mm (10.2" ×9.4" ×1.7")		
Weight (without HDD)	≤ 1.12 Kg (2.47 lb)		