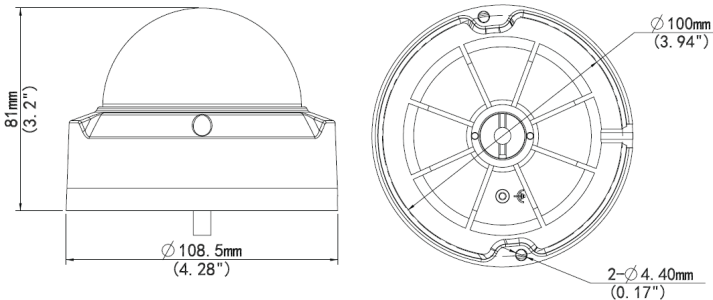


VZD324ER3-DVPF28

4MP WDR Vandal-resistant Network IR Fixed Dome Camera



Dimensions



Optics

- Day/night functionality
- SmartIR, up to 30 m (98 ft) IR distance
- Up to 120 dB WDR (Wide Dynamic Range)
- 2D/3D DNR (Digital Noise Reduction)

Compression

- Ultra 265, H.265, H.264, MJPEG
- Embedded smart algorithm
- ROI (Region of Interest)
- Customized OSD

Structure

- Wide temperature range: -35°C to 60°C (-31°F to 140°F)
- Wide input voltage range of $\pm 25\%$
- IK10 vandal resistant
- IP67

Network

- ONVIF Conformance

Specifications

	VZD324ER3-DVVPF28	VZD324ER3-DVVPF36	VZD324ER3-DVVPF60
Camera			
Sensor	1/3", progressive scan, 4.0 megapixel, CMOS		
Lens	2.8mm@F2.0	3.6mm@F2.0	6.0mm@F2.0
Angle of View (H)	101.8°	73.7°	49.4
Shutter	Auto/Manual, 1/6~1/100000 s		
Minimum Illumination	Colour: 0.02 Lux (F2.0, AGC ON) 0 Lux with IR		
Day/Night	IR-cut filter with auto switch (ICR)		
Digital noise reduction	2D/3D DNR		
S/N	>55 dB		
IR Range	Up to 30m (98 ft) IR range		
Defog	Digital Defog		
WDR	120dB		
Video			
Video Compression	Ultra 265, H.265, H.264, MJPEG		
H.264 code profile	Baseline profile, Main Profile, High Profile		
Frame Rate	Main Stream: 4MP (2592x1520): Max. 20 fps, 4MP (2560x1440): Max. 25 fps, 3MP (2048x1520): Max. 30 fps; Sub Stream: 2MP (1920x1080): Max. 30 fps; Third Stream: D1 (720x576) : Max. 30fps		
HLC	Supported		
BLC	Supported		
9:16 Corridor Mode	Supported		
OSD	Up to 8 OSDs		
Privacy Mask	Up to 8 areas		
ROI	Up to 8 areas		
Motion Detection	Up to 4 areas		
Smart			
Behavior Detection	Intrusion, cross line, motion detection		
Exception Detection	Audio detection		
Intelligent Identification	Face detection, Defocus, Scene Change		
Statistical Analysis	People counting		
General Function	Watermark, IP Address Filtering, Tampering Alarm, Alarm input, Alarm output, Access Policy, ARP Protection, RTSP Authentication, User Authentication		
Audio			
Audio Compression	G.711		
Two-way audio	Supported		
Suppression	Supported		
Sampling Rate	8 KHZ		
Storage			
Edge Storage	Micro SD, up to 128 GB		
Network Storage	ANR		
Network			
Protocols	IPv4, IGMP, ICMP, ARP, TCP, UDP, DHCP, PPPoE, RTP, RTSP, RTCP, DNS, DDNS, NTP, FTP, UPnP, HTTP, HTTPS, SMTP, 802.1x, SNMP		
Compatible Integration	ONVIF(Profile S, Profile G), API		
Interface			
Audio I/O	Input: impedance 35 kΩ; amplitude 2 V [p-p] Output: impedance 600 Ω; amplitude 2 V [p-p]		
Alarm I/O	1/ 1		
Network	1 RJ45 10M/100M Base-TX Ethernet		
General			
Power	12 V DC±25%, PoE (IEEE802.3 af) Power consumption: Max 5.5W		
Dimensions (Ø x H)	Φ108.5 x 81 mm (Ø4.28" x 3.2")		
Weight	0.45 kg (0.99 lb)		
Working Environment	-35°C ~ +60°C (-31°F ~ 140°F), Humidity: 10%~95% RH (non-condensing)		
Ingress Protection	IP67		
Vandal Resistant	IK10		