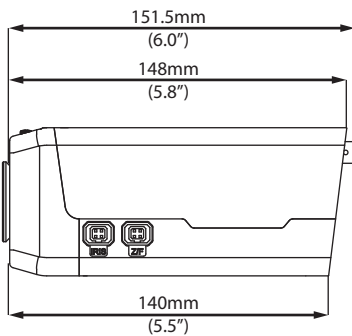


VZB568E-G

4K Ultra-HD SFP Network Box Camera



Dimensions



Structure

- AC 24V /DC 12 V/PoE with uninterruptible power supply
- Wide temperature range: -20°C to 60°C (-4°F to 140°F)
- Wide voltage range of $\pm 25\%$
- 6 KV surge protection designed for network interface

Network

- Optional network interfaces with Ethernet RJ45 and optical SFP
- ONVIF Conformance

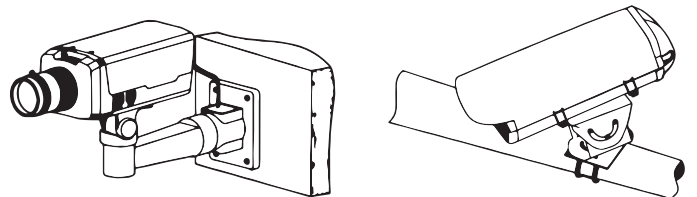
Optics

- Auto day/night functionality
- 3D DNR (Digital Noise Reduction)
- Optical Defog & Digital Defog

Compression

- Ultra 265,H.265, H.264, MJPEG
- Embedded smart algorithm
- 4000 * 3000 Resolution Supported
- Triple streams
- ROI (Region of Interest)
- 9:16 corridor format

Installation



Specifications

	VZB568E-G
Camera	
Sensor	1/1.7" progressive scan ,CMOS
Lens Mount	CS
Shutter	Auto/Manual, 1/6~1/100000 s
Minimum Illumination	Colour: 0.06 Lux (F1.2, AGC ON) B/W:0.03 Lux(F1.2, AGC ON)
Iris	DC-Iris 4V (4-Pin)/P-Iris 5V (4-Pin)
Day & night	Automatically removable IR-cut filter(ICR)
Digital noise reduction	2D/3D DNR
Motor Zoom/focus	DC 5V (4-Pin)
S/N	>55dB
Defog	Optical Defog & Digital Defog
WDR	DWDR
Video	
Video Compression	Ultra 265,H.265, H.264, MJPEG
H.264 code profile	Baseline profile, Main Profile, High Profile
Frame Rate	Main Stream:12 MP(4000×3000):Max.20 fps, 8MP(3840 × 2160): Max.25fps, 2MP(1920×1080)@30fps ; Sub Stream:2MP(1920×1080) : Max. 30fps ; Third Stream: D1 (720×576): Max. 30fps
9:16 Corridor Mode	Supported
HLC	Supported
BLC	Supported
ROI	Up to 8 areas
OSD	Up to 8 OSDs
Privacy Mask	Up to 8 areas
Motion Detection	Up to 4 areas
Smart	
Behavior Detection	Intrusion, cross line, motion detection
Exception Detection	Audio detection
Intelligent Identification	Face detection, Defocus, Scene Change
Statistical Analysis	People counting
General Function	Watermark, IP Address Filtering, Tampering Alarm, Alarm input, Alarm output, Access Policy, ARP Protection, RTSP Authentication, User Authentication
Audio	
Audio Compression	G.711
Two-way audio	Supported
Suppression	Supported
Sampling Rate	8 KHZ
Storage	
Edge Storage	Micro SD, up to 128 GB
Network Storage	ANR
Network	
Protocols	IPv4, IGMP, ICMP, ARP, TCP, UDP, DHCP, PPPoE, RTP, RTSP, RTCP, DNS, DDNS, NTP, FTP, UPnP, HTTP, HTTPS, SMTP, 802.1x, SNMP
Compatible Integration	ONVIF(Profile S, Profile G), API
Interface	
Audio I/O	3.5 mm audio interface
	1 Input: impedance 35 kΩ; amplitude 2 V [p-p]
	1 Output: impedance 600 Ω; amplitude 2 V [p-p]
Alarm I/O	2 / 1
Serial Port	1 RS485 (support Pelco-D/P)
Network	100M/1000M Base-FX SFP + 100M/1000M Base-TX Ethernet
Video Output	1 BNC, impedance 75 Ω; amplitude 1 V [p-p]
General	
Power	24 V AC±25%, 12 V DC±25%, PoE (IEEE802.3 af)
	Power consumption: Max 9.5W
Dimensions (L × W × H)	151.5 × 71 × 65 mm (6.0" × 2.8" × 2.6") (excluding the lens)
Weight	0.48 kg (1.1 lb)
Working Environment	-20°C ~ 60°C (-4°F ~ 140°F), Humidity :10%~95% RH(non-condensing)
Reset Button	Supported