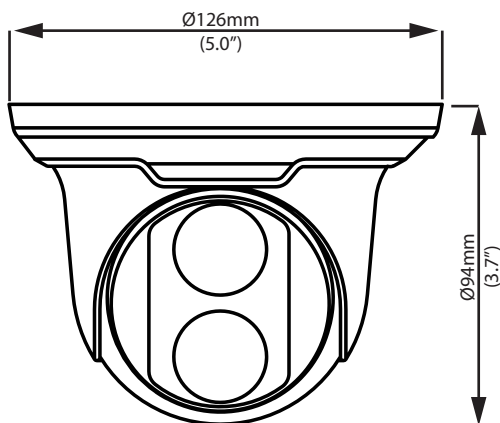


VZD3614LR3-PF28(40)

4MP Fixed Dome Network Camera



Dimensions



Structure

- Wide temperature range: -20°C to 50°C (-4°F to 122°F)
- Wide voltage range of $\pm 25\%$

Optics

- Day/night functionality
- SmartIR, up to 30 m (98 ft) IR distance
- 2D/3D DNR (Digital Noise Reduction)

Compression

- Ultra 265, H.265, H.264, MJPEG
- Triple streams
- 9:16 corridor format

Network

- ONVIF Conformance

Specifications

	VZD3614LR3-PF28	VZD3614LR3-PF40
Camera		
Sensor	1/3", progressive scan, 4megapixel, CMOS	
Lens	2.8mm@F1.8	3.6mm@F1.8
Angle of view(H)	101.8°	73.7°
Shutter	Auto/Manual, 1/6~1/100000 s	
Minimum Illumination	Colour: 0.02 Lux (F1.8, AGC ON) 0 Lux with IR	
Day/Night	IR-cut filter with auto switch (ICR)	
Digital noise reduction	2D/3D DNR	
S/N	>52 dB	
IR Range	Up to 30m (98 ft) IR range	
Defog	Digital Defog	
WDR	DWDR	
AWB(Auto white balance)	Auto/manual	
Gain Control	Auto/manual	
Video		
Video Compression	Ultra 265,H.265, H.264, MJPEG	
H.264 code profile	Baseline profile, Main Profile, High Profile	
Frame Rate	Main Stream:4MP (2592×1520): Max. 20 fps, 4MP (2560×1440): Max. 25 fps, 3MP (2048×1520): Max. 30 fps; Sub Stream:2MP (1920×1080): Max. 30 fps; Third Stream:D1(720×576) : Max. 30fps	
HLC	Supported	
BLC	Supported	
9:16 Corridor Mode	Supported	
OSD	Up to 8 OSDs	
Privacy Mask	Up to 8 areas	
ROI	Up to 8 areas	
Motion Detection	Up to 4 areas	
Network		
Protocols	IPv4, IGMP, ICMP, ARP, TCP, UDP, DHCP, PPPoE, RTP, RTSP, RTCP, DNS, DDNS, NTP, FTP, UPnP, HTTP, HTTPS, SMTP, 802.1x	
Compatible Integration	ONVIF(Profile S, Profile G), API	
Interface		
Network	1 RJ45 10M/100M Base-TX Ethernet	
General		
Power	12 V DC±25%, PoE (IEEE802.3 af) Power consumption: Max 5.0W	
Dimensions (∅ x H)	∅118 x 96 mm (∅4.6" x 3.8")	
Weight	0.2 kg (0.44lb)	
Operating Conditions	-20C ~ +50°C (-4°F ~ 122°F), Humidity :10%~95% RH(non-condensing)	