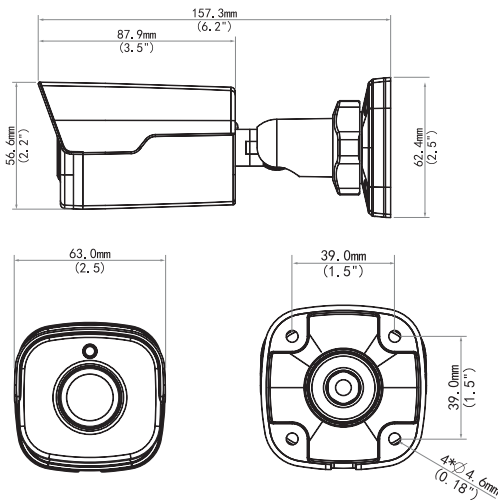


## VZI2122LR3-PF40(60)-C

### 2MP Mini Fixed Bullet Network Camera



#### Dimensions



#### Structure

- Wide temperature range: -30°C to 60°C (-22°F to 140°F)
- Wide voltage range of ±25%
- IP66

#### Optics

- Day/night functionality
- Smart IR , up to 30 m (98 ft) IR distance
- Optical glass window with higher light transmittance
- IR anti-reflection window to increase the infrared transmittance
- 2D/3D DNR (Digital Noise Reduction)

#### Compression

- Ultra 265, H.265, H.264, MJPEG
- Triple streams

#### Network

- ONVIF Conformance

# Specifications

|                         |  |            |
|-------------------------|--|------------|
|                         | VZI2122LR3-PF40(60)-C  |            |
| <b>Camera</b>           |  |            |
| Sensor                  | 1/2.7", progressive scan, 2.0 megapixel, CMOS  |            |
| Lens                    | 4.0mm@F1.8   | 6.0mm@F1.8 |
| Angle of View(H)        | 76.6°  | 51.6°      |
| Shutter                 | Auto/Manual, 1/6~1/100000 s  |            |
| Minimum Illumination    | Colour: 0.02 Lux (F1.8, AGC ON)<br>0 Lux with IR on  |            |
| Day/Night               | IR-cut filter with auto switch (ICR)   |            |
| Digital noise reduction | 2D/3D  |            |
| S/N                     | >52dB  |            |
| IR Range                | Up to 30m (98 ft) IR range   |            |
| Defog                   | Digital Defog  |            |
| WDR                     | DWDR   |            |
| <b>Video</b>            |  |            |
| Video Compression       | Ultra 265, H.265, H.264, MJPEG   |            |
| H.264 code profile      | Baseline profile, Main Profile, High Profile   |            |
| Frame Rate              | Main Stream:2MP (1920×1080): Max. 25 fps;<br>Sub Stream: 720P (1280×720): Max. 25 fps;<br>Third Stream:D1 (720×576): Max. 25 fps |            |
| HLC                     | Supported  |            |
| BLC                     | Supported  |            |
| OSD                     | Up to 8 OSDs   |            |
| Privacy Mask            | Up to 8 areas  |            |
| ROI                     | Up to 8 areas  |            |
| Motion Detection        | Up to 4 areas  |            |
| General Function        | Watermark, IP Address Filtering, Tampering Alarm, Access Policy, ARP Protection, RTSP Authentication, User Authentication        |            |
| <b>Network</b>          |  |            |
| Protocols               | IPv4, IGMP, ICMP, ARP, TCP, UDP, DHCP, RTP, RTSP, RTCP, DNS, DDNS, NTP, FTP, UPnP, HTTP, HTTPS, SMTP, 802.1x, SNMP               |            |
| Compatible Integration  | ONVIF(Profile S, Profile G), API   |            |
| <b>Interface</b>        |  |            |
| Network                 | 1 RJ45 10M/100M Base-TX Ethernet   |            |
| <b>General</b>          |  |            |
| Power                   | 12 V DC±25%, PoE (IEEE802.3 af)  |            |
|                         | Power consumption: Max 5W  |            |
| Dimensions (L × W × H)  | 167.3 × 62.9 × 62.7 mm (6.6" × 2.5" × 2.5")  |            |
| Weight                  | 0.25kg (0.55 lb)   |            |
| Working Environment     | -30°C ~ +60°C (-22°F ~ 140°F), Humidity :10%~95% RH(non-condensing)  |            |
| Ingress Protection      | IP66   |            |